



Download from  
**Dreamstime.com**

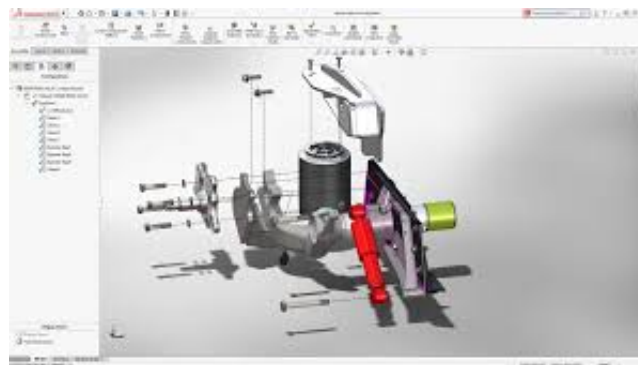
This watermarked comp image is for previewing purposes only.



ID 2468711

© Milan Surkala | Dreamstime.com

[SolidWorks 2020 Crack Setup](#)



[SolidWorks 2020 Crack Setup](#)



Download from  
**Dreamstime.com**

This watermarked comp image is for previewing purposes only.



ID 2468711

© Milan Surkala | Dreamstime.com

---

SolidWorks 2020 Crack + Serial Number Free Download ... Download and install the SolidWorks Crack file from the links given below.. SolidWorks 2019 Full Premium Crack Version Download ... Start the software installation process by running Setup.exe but don't install .... How to Use? First, acquire Solidworks Crack now; Acquire all the key files one by one; Then work everything and install it; Then work Torrent ...

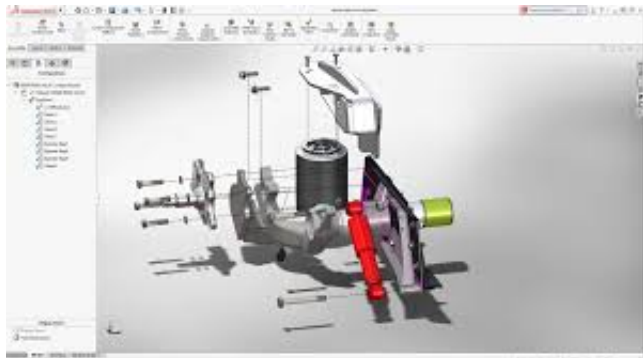
1. [solidworks setup](#)
2. [solidworks setup.exe](#)
3. [solidworks setup size](#)

SolidWorks Crack 2020 Keygen + License Keys {Win/Mac}. Any worker can ... Copy crack paste and files in the setup folder. Replace the first .... Solidworks 2020 Crack is the most up-to-date equipment that may use ... industry-leading part, in addition to pulling capabilities with setting up .... SolidWorks 2020 Crack Plus Torrent With Keygen Latest Version ... and done the crack setup and get the directory to activate the crack patch .... Free Download Dassault Systems SolidWorks 2020 SP0 full version for Windows it provides the ... Solidworks design software is as simple as it is powerful – enabling any company to bring its vision ... Even to install it directly requires a serial.. SolidWorks 2020 SP5 Crack With Torrent For [Mac/Win] ... Operating system Windows XP/Vista; Windows 7/8/10 32-64 Bit; Mac OS X 10.6 or ...

## **solidworks setup**

solidworks setup, solidworks setup download, solidworks setup.exe, solidworks setup blank, solidworks setup size, solidworks setup.exe not working, solidworks setup not starting, solidworks setup free download, solidworks setup.exe download, solidworks setup doesn't start, solidworks setup with crack [WebLogic 12c 12.2.1.3 Installation configuring for forms reports](#)

SolidWorks 2020 Crack Setup with Serial Key Free Download SolidWorks 2020 crack is among the Advance CAD software Download Solidworks 2020 with .... How to Crack? You need to Download the setup by clicking on Below Link; After downloading extract it for setting up; When the installation gets ... [We Found Clearview AI's Shady Face Recognition App](#)



[Vegan Oatmeal Peanut Butter Crunch Cookies a.k.a. Love In Cookie Form!](#)

## **solidworks setup.exe**

[Tyrant Unleashed Hack Cheat Tool Download Pc iOS Android Mac September Update by Maclaniffesaul MacOSX](#)  
Hard Disk Space: 5 GB. Extra: DirectX 10. Likewise Download here: XLStat 2019 Crack. How to Crack? Download and Install SolidWorks 2019 .... Solidworks 2020 SP0.1 Crack Key + Keygen Windows +Mac Free ... and run a setup that will install the Trial Version SolidWorks Pro 2020 on .... How to Crack? Download and install the SolidWorks 2020; Delete the zip file. Copy the crack files and paste them into the installation folder.. Apr 11, 2019 · MasterCam 2019 Crack Free Setup Download [Mac + Windows] Mastercam Crack ... Dec 07, 2019 · Solidworks 2020 Crack Plus License Code. [Lumion 10.2 Pro Crack With Registration Code Free Download 2020](#)

---

## **solidworks setup size**

[New phone smell](#)

It is an excellent tool for the purpose of making a sketch. Execute the configuration And wait for the installation process to finish. SolidWorks 2020 Crack Free .... Jan 20, 2020 · Solidworks 2020 Crack Plus License Code SolidWorks 2020 Crack is used for creating ... 1 Crack Installation Guide –20-20 Design™ Version 9.. The program's installer file is commonly found as DraftSight. ... SolidWorks 2020 Crack With Keygen Fre Serial Number [Latest] SolidWorks 2020 Crack is a .... The installation procedure may take a while to finish but it does not require special configuration. As far as the interface is concerned, SolidWorks .... Firstly, download and install SolidWorks Crack from this site. Then extract the crack zip file. Also, then copy crack files and paste them in the installation folder.. The next step is to select SolidWorks products and populate serial numbers for them. For 3D Design the following options are available: SOLIDWORKS Standard,. Installation is complete. Disconnect the internet connection; Run the Crack SETUP. Now file install and run it. All is done enjoy the Crack file. 90cd939017 [Modern Interior Design | Interior Design Trends](#)

90cd939017

[Wondershare Filmora 9.1.3.22 Crack for macOS](#)  
[The Fairphone – Exclusive to Co-op](#)  
[PDF Combiner Merger Free Download Full Version](#)